

NB:

The **CRITICAL DIMENSION** is to the outer (external) finished face of the upstand. The builder/contractor is responsible for the construction of the upstand. Dimensions to be approved prior to manufacture of lantern.

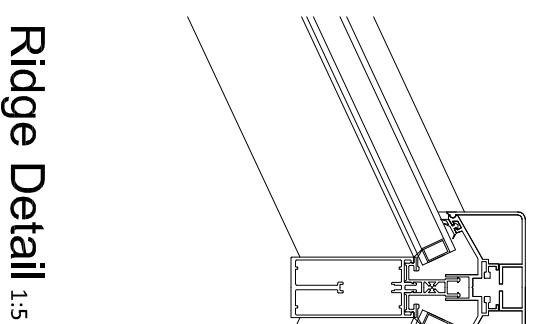
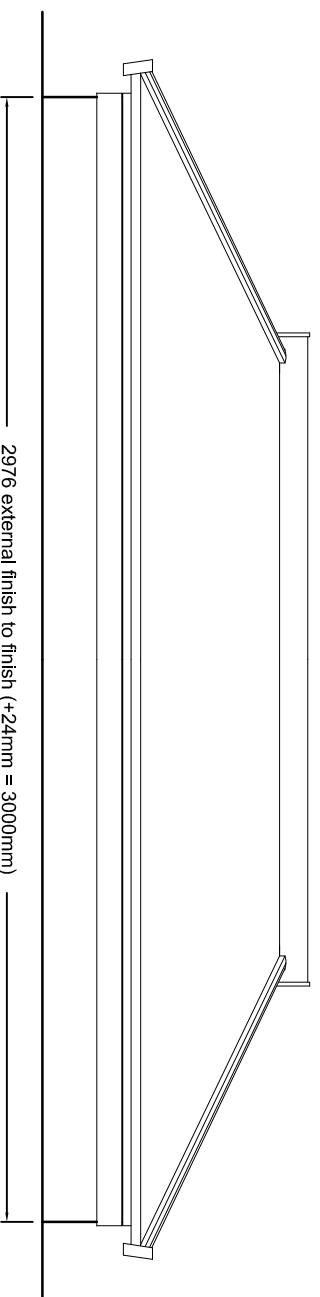
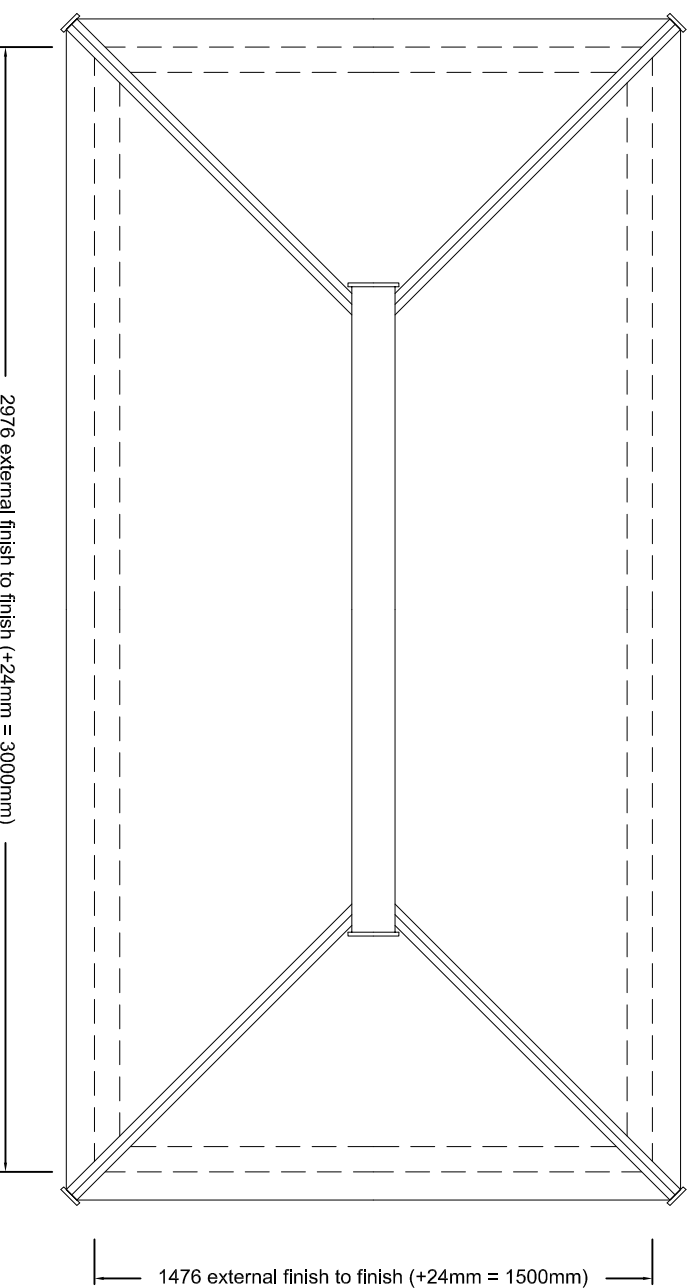
The builder/contractor is responsible for additional inner cills, coving or cover beading. Builder is responsible for all wiring of motors and running cables to switches and installing of switches

Lantern comes to site in kit form.

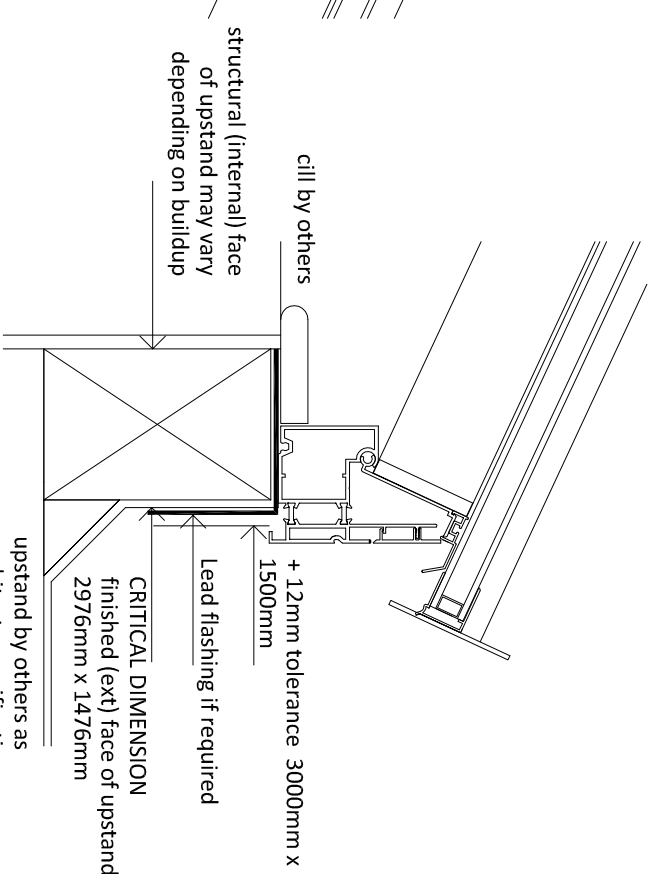
To include:

1. Colour:
Internal - Standard white
External - Standard white
2. Pilkington Active **Neutral** (by default) please instruct at time of order if you require a blue tint
3. 25° pitch

IF A DIFFERENT ROOF COVERING / BUILDUP IS PREFERRED THE INTERNAL DIMENSION SHOULD BE AMENDED NOT THE EXTERNAL DIMENSIONS



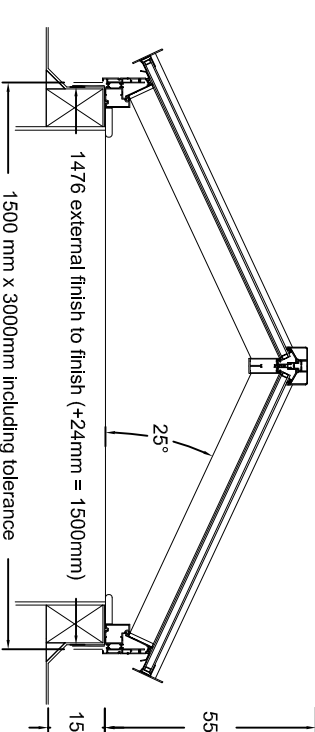
Ridge Detail 1:5



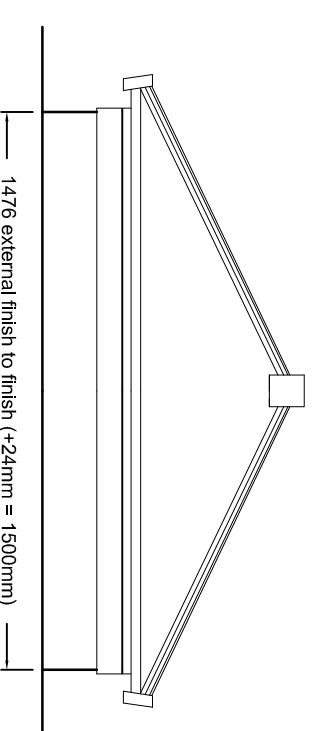
Eaves Detail

upstand by others as architects specification 150mm min above roof deck

- 1:5
- NB: suggested build up:
15mm plasterboard and skim
100mm stud upstand
5mm nominal roof finish
12mm tolerance



Section 1:20



End Elevation 1:20

Date 27.07.2015	Client Contemporary Range	Address ...	DWG Ref : 1500mm x 3000mm Roof Lantern @ 25°	<p>LIGHTHOUSE Aluminium Roof Lanterns</p> <p>enquiries@aluminiumrooflanterns.com 01797 229 639 Unit 8, Rye Harbour Industrial Estate, Rye Harbour Road, Rye, East Sussex, TN31 7TE</p>
Scale 1:20/5 @ A3	<p>ALL DIMENSIONS MUST BE CHECKED ON SITE. DO NOT SCALE OFF THIS DRAWING EXCEPT FOR PLANNING PURPOSES. THIS DRAWING MUST BE READ IN CONJUNCTION WITH THE SPECIFICATION OF WORKS. ALL WORKS MUST BE CARRIED OUT IN ACCORDANCE WITH THE STATUTORY AUTHORITIES.</p> <p>THIS IS NOT A CONSTRUCTION DRAWING</p>		DWG No : LARL-Contemp-05	