

THIS IS NOT A CONSTRUCTION DRAWING

NB:

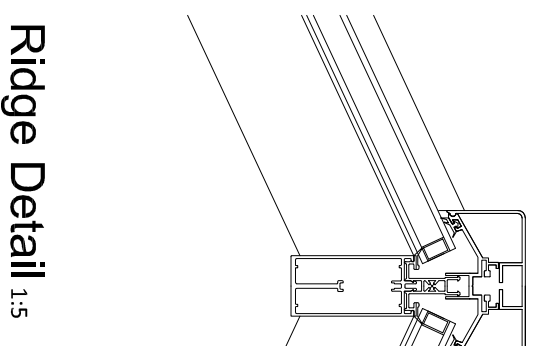
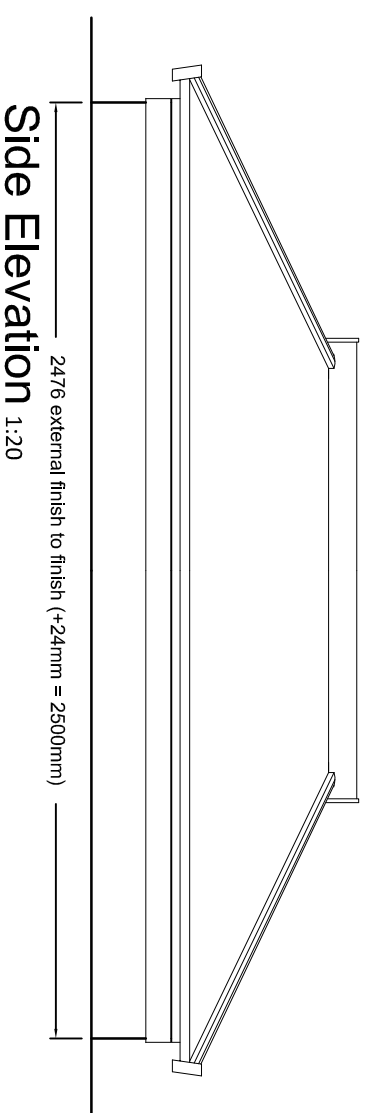
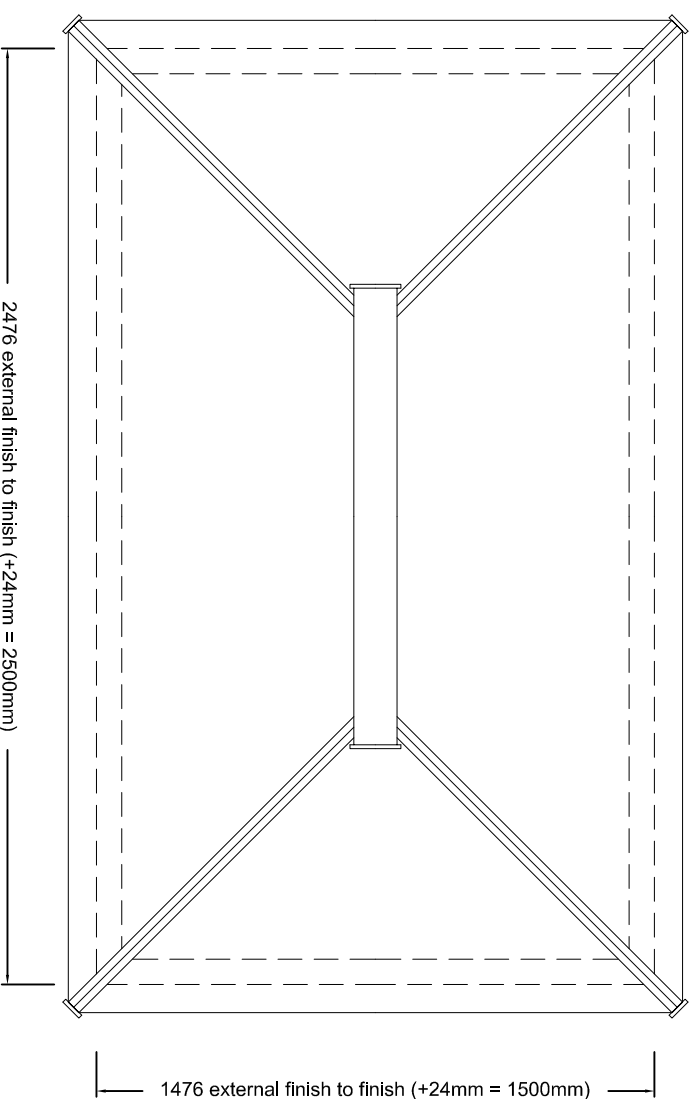
The **CRITICAL DIMENSION** is to the outer (external) finished face of the upstand. The builder/contractor is responsible for the construction of the upstand. Dimensions to be approved prior to manufacture of lantern.

The builder/contractor is responsible for additional inner cills, coving or cover beading. Builder is responsible for all wiring of motors and running cables to switches and installing of switches
Lantern comes to site in kit form.

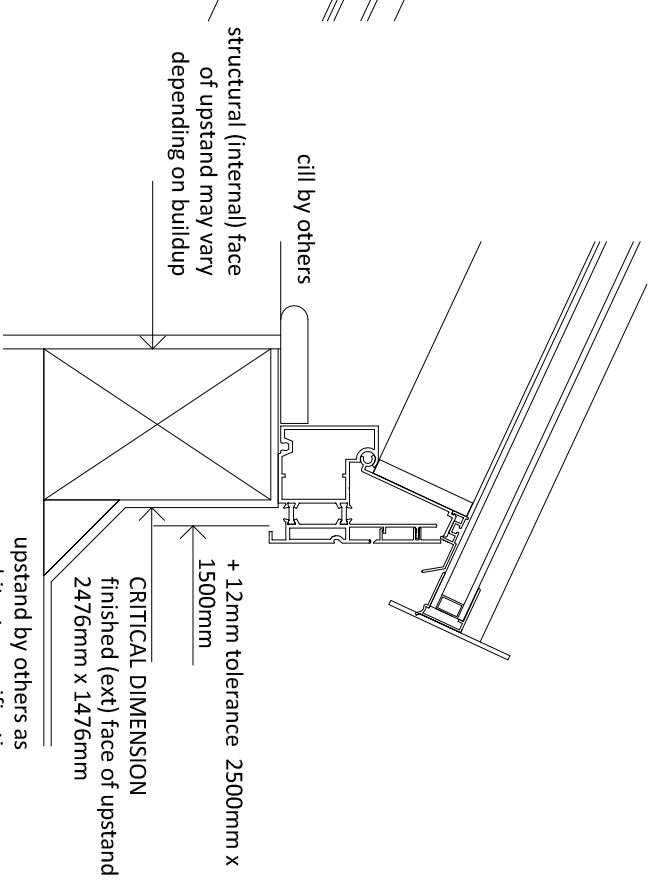
To include:

1. Colour:
Internal - Standard white
External - Standard white
2. Pilkington Active **Neutral** (by default) please instruct at time of order if you require a blue tint
3. 25° pitch

IF A DIFFERENT ROOF COVERING / BUILDUP IS PREFERRED THE INTERNAL DIMENSION SHOULD BE AMENDED NOT THE EXTERNAL DIMENSIONS

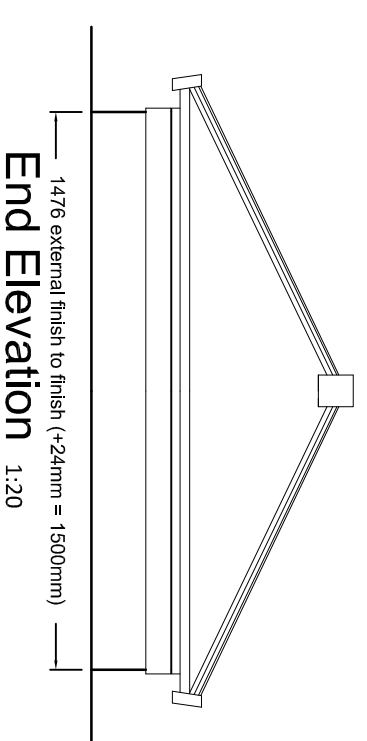
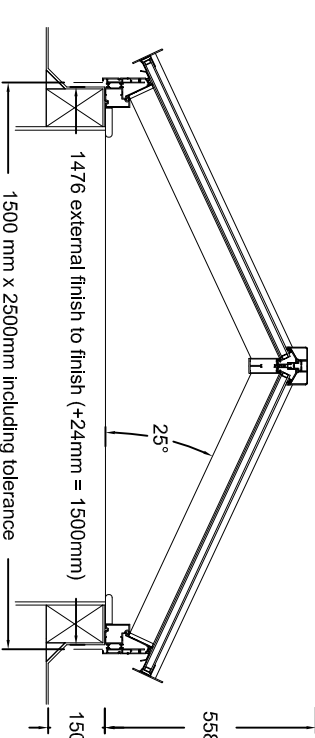


Ridge Detail 1:5



Eaves Detail 1:5

NB: suggested build up:
15mm plasterboard and skim
100mm stud upstand
5mm nominal roof finish
12mm tolerance



Date 27.07.2015	Client Contemporary Range	Address ...	DWG Ref : 1500mm x 2500mm Roof Lantern @ 25°
Scale 1:20/5 @ A3	ALL DIMENSIONS MUST BE CHECKED ON SITE. DO NOT SCALE OFF THIS DRAWING EXCEPT FOR PLANNING PURPOSES. THIS DRAWING MUST BE READ IN CONJUNCTION WITH THE SPECIFICATION OF WORKS. ALL WORKS MUST BE CARRIED OUT IN ACCORDANCE WITH THE STATUTORY AUTHORITIES. THIS IS NOT A CONSTRUCTION DRAWING		DWG No : LARL-Contemp-04
LIGHTHOUSE Aluminium Roof Lanterns enquiries@aluminiumrooflanterns.com			
01797 229 639 Unit 8, Rye Harbour Industrial Estate, Rye Harbour Road, Rye, East Sussex, TN31 7TE			