

NB:

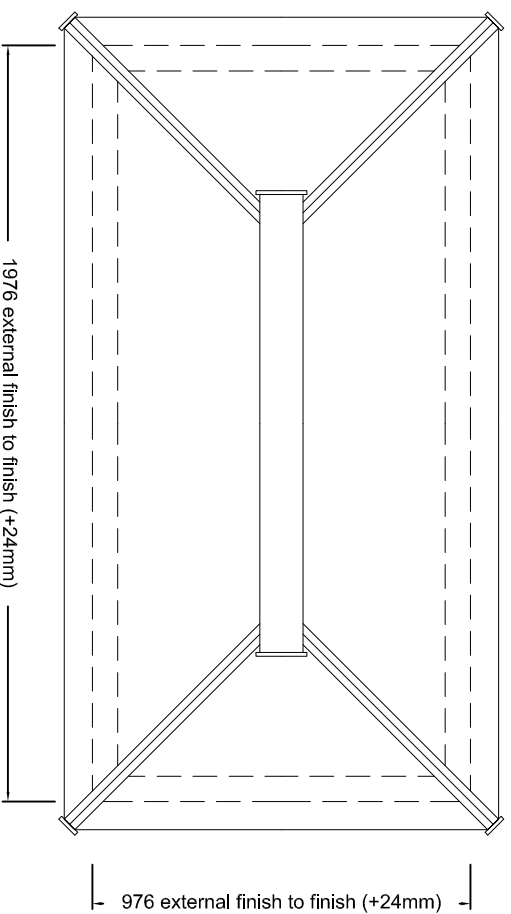
The **CRITICAL DIMENSION** is to the outer (external) finished face of the upstand. The builder/contractor is responsible for the construction of the upstand. Dimensions to be approved prior to manufacture of lantern.

The builder/contractor is responsible for additional inner cills, coving or cover beading. Builder is responsible for all wiring of motors and running cables to switches and installing of switches
Lantern comes to site in kit form.

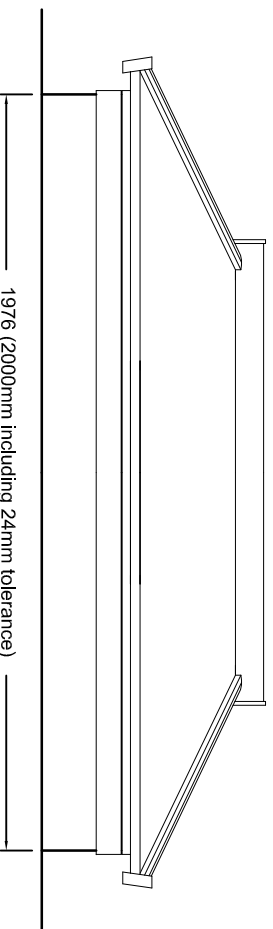
To include:

1. Colour:
Internal - Standard white
External - Standard white
2. Pilkington Active **Neutral** (by default) please instruct at time of order if you require a blue tint
3. 25° pitch

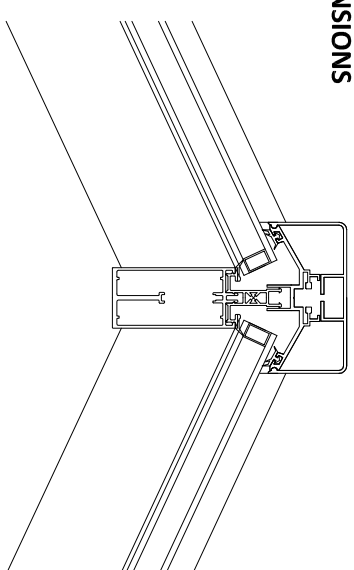
IF A DIFFERENT ROOF COVERING / BUILDUP IS PREFERRED THE INTERNAL DIMENSION SHOULD BE AMENDED NOT THE EXTERNAL DIMENSIONS



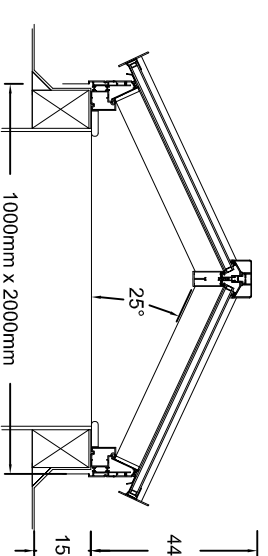
Plan 1:20



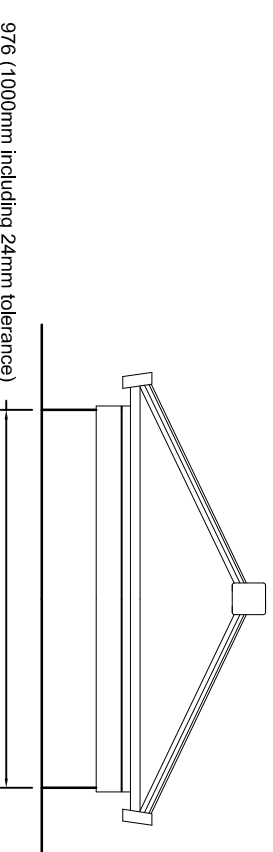
Side Elevation 1:20



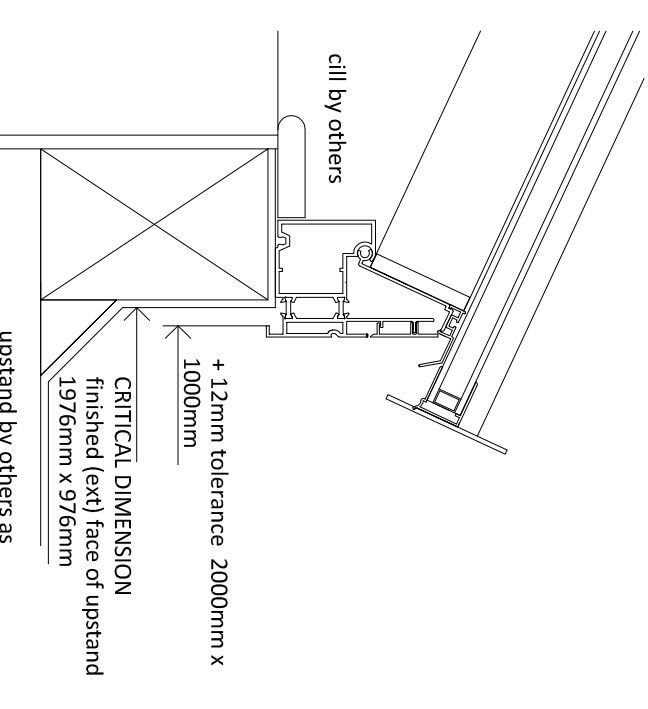
Ridge Detail 1:5



Section 1:20



End Elevation 1:20



Eaves Detail 1:5

- NB: suggested build up:**
- 15mm plasterboard and skim
 - 100mm upstand
 - 5mm nominal roof finish
 - 12mm tolerance

Date	27.07.2015	...	Address	...
Scale	1:20/5 @ A3	<p>ALL DIMENSIONS MUST BE CHECKED ON SITE. DO NOT SCALE OFF THIS DRAWING EXCEPT FOR PLANNING PURPOSES. THIS DRAWING MUST BE READ IN CONJUNCTION WITH THE SPECIFICATION OF WORKS. ALL WORKS MUST BE CARRIED OUT IN ACCORDANCE WITH THE STATUTORY AUTHORITIES.</p> <p>THIS IS NOT A CONSTRUCTION DRAWING</p>		

DWG Ref:	1000mm x 2000mm Roof Lantern @ 25°
DWG No:	LARL-Contemp-02

01797 229 639
Unit 8, Rye Harbour Industrial Estate, Rye Harbour Road, Rye, East Sussex, TN31 7TE

enquiries@aluminiumrooflanterns.com

Aluminium Roof Lanterns

LIGHTHOUSE