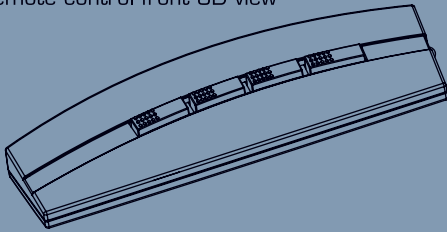


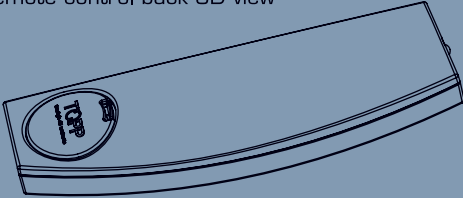
# TR8

Infra-red / Radio Remote Control – 8 Channels

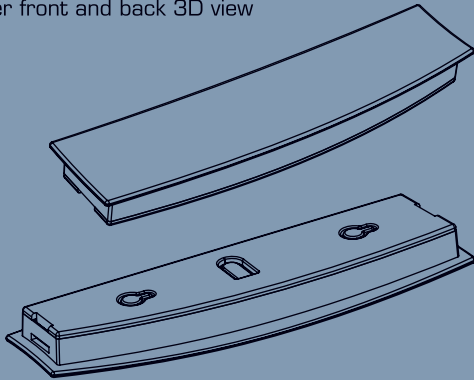
Remote control front 3D view



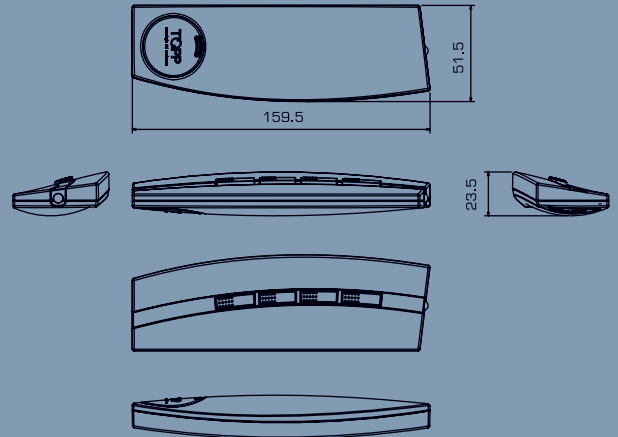
Remote control back 3D view



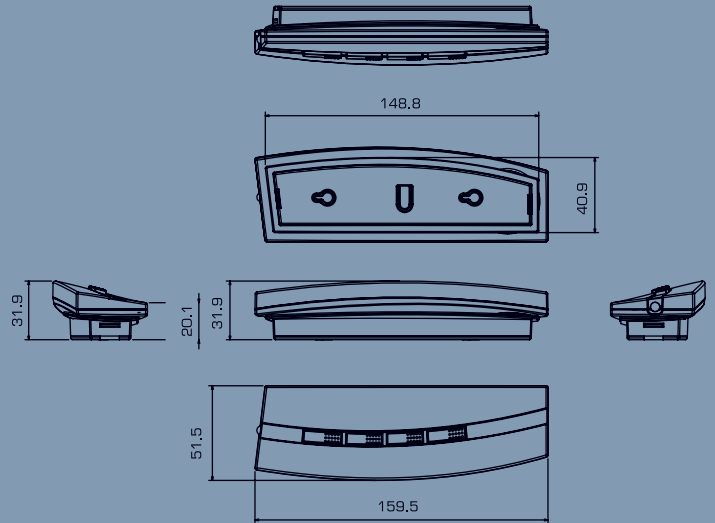
Holder front and back 3D view



Remote control dimensions



Remote control and holder dimensions



## Description for technical specifications

Remote control available as radio at 433,92 Mhz with rolling-code and as infra-red, with 8 silicon rubber buttons, blue backlit, battery-operated by two 3V CR2032 batteries. The transmitter is supplied with holder for wall fixing.

## Technical characteristics

Transmission frequency	433,92 MHz
Transmission frequency tolerance	± 30 KHz
Modulation	ASK
Power supply voltage	2xCR2032
Average absorbed current	14 mA
Operating temperature	-10 + 55°C
Relative humidity	< 95 %
Range	> 20 meters
Dimensions (only remote control)	51,5 x 159,5 x 23,5 mm